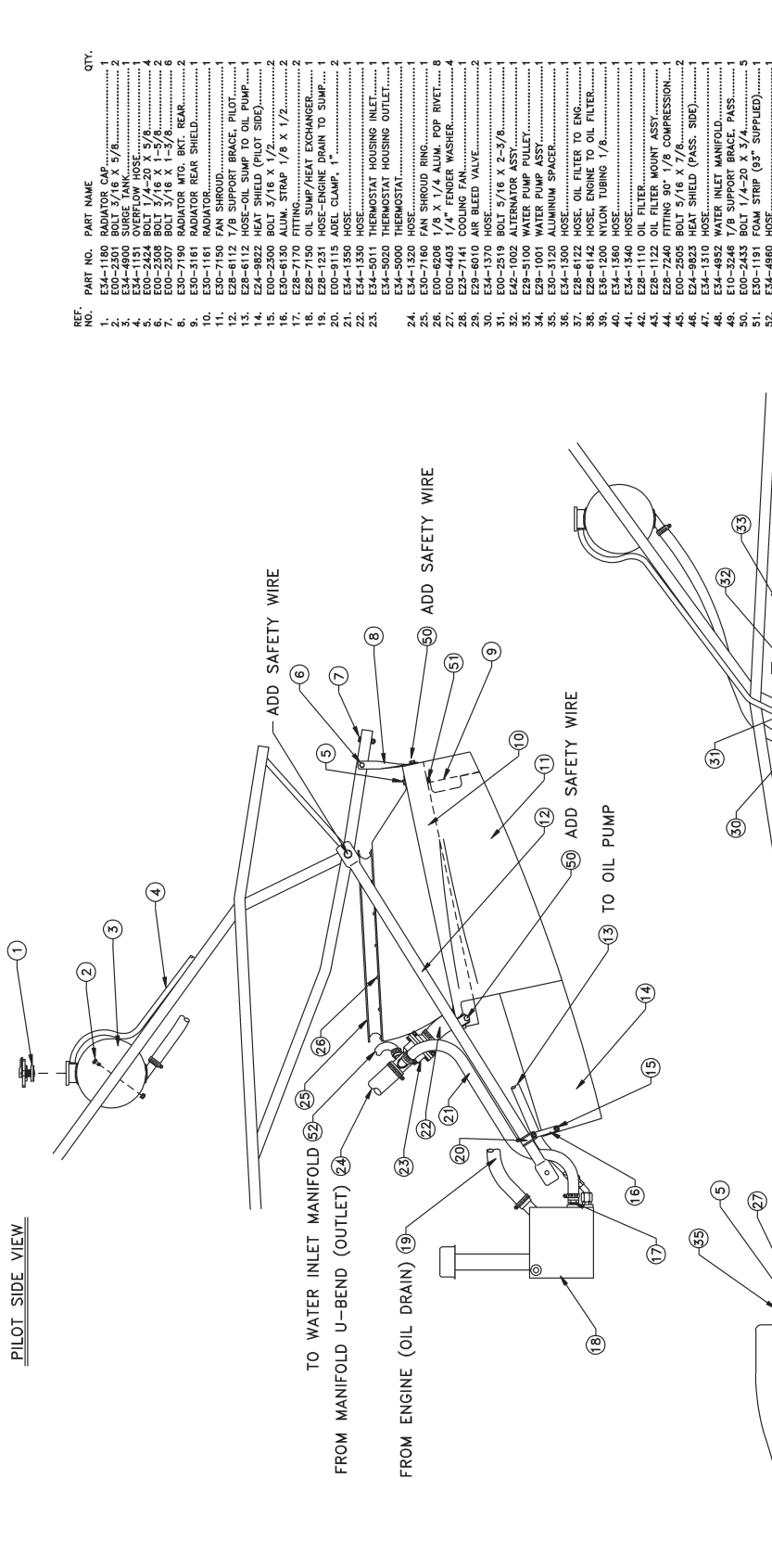
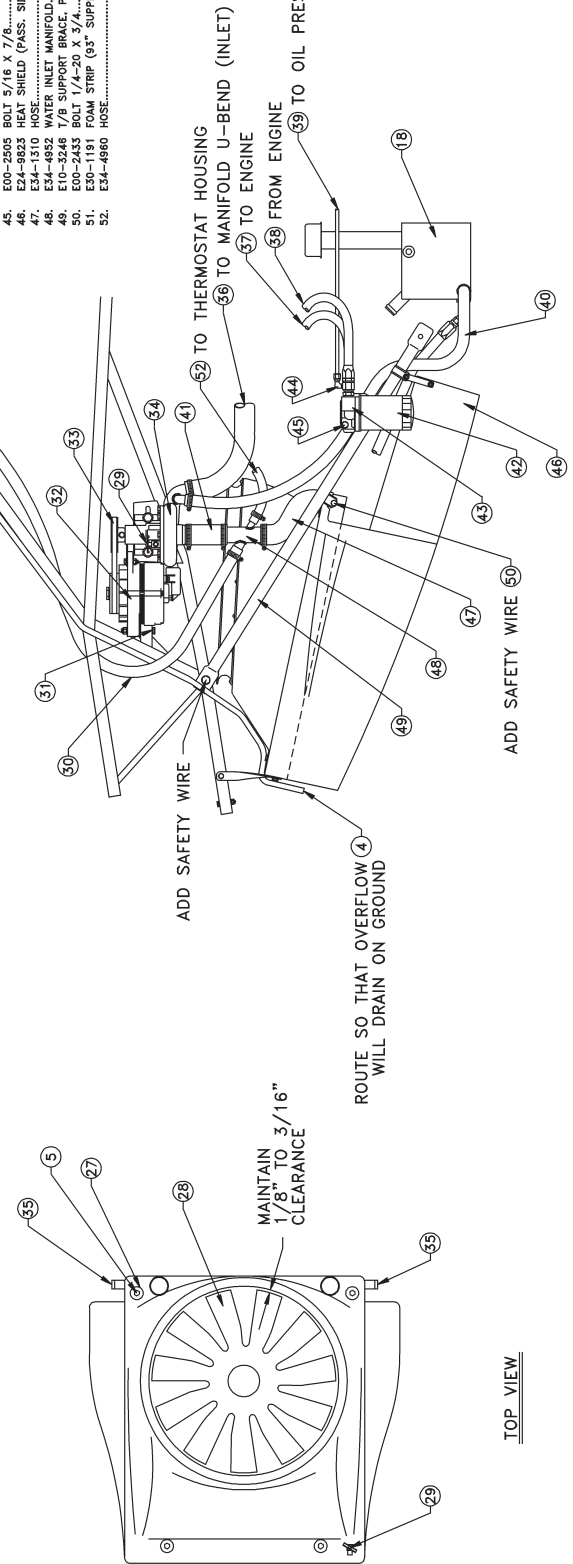


PILOT SIDE VIEW

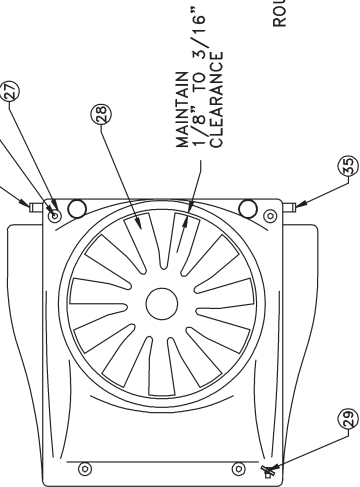


REF. NO.	PART NO.	PART NAME	QTY.
1	E00-2300	ROTOR CHAMFER	1
2	E00-2301	BOLTS 1/8"	2
3	E34-4800	SURGE TANK	1
4	E34-1151	OVERFLOW HOSE	1
5	E00-2307	BOLT 3/16 X 1-5/8	2
6	E00-2308	BOLT 3/16 X 1-5/8	2
7	E00-2307	BOLT 3/16 X 1-5/8	2
8	E30-7190	RADIATOR MFG. BKT. REAR	2
9	E30-3181	RADIATOR REAR SHIELD	1
10	E30-3182	FAN SHROUD	1
11	E30-7150	FAN SHROUD	1
12	E28-6112	1/8" SUPPORT BRACE, PILOT	1
13	E28-6112	HOSE-OIL SUMP TO OIL PUMP	1
14	E24-9622	HEAT SHIELD (PILOT SIDE)	1
15	E00-2300	BOLT 3/16 X 1/2"	2
16	E30-6130	ALUM. STRAP 1/8" X 1/2"	2
17	E00-2300	BOLT 3/16 X 1/2"	2
18	E00-2300	BOLT 3/16 X 1/2"	2
19	E00-2300	BOLT 3/16 X 1/2"	2
20	E00-2300	BOLT 3/16 X 1/2"	2
21	E00-9115	HOSE-ENGINE DRAIN TO SUMP	1
22	E34-1350	HOSE	1
23	E34-1350	HOSE	1
24	E34-5020	THERMOSTAT HOUSING INLET	1
25	E34-5020	THERMOSTAT HOUSING INLET	1
26	E34-5020	THERMOSTAT HOUSING INLET	1
27	E34-5020	THERMOSTAT HOUSING INLET	1
28	E00-6208	1/8" X 1/4" ALUM. POP RIVET	8
29	E23-7141	COOLING FAN	1
30	E29-6010	AIR BLEED VALVE	2
31	E00-2319	BOLT 5/16 X 2-3/8	2
32	E42-1002	ALTERNATOR ASSY.	1
33	E29-5100	WATER PUMP PULLEY	1
34	E29-1001	WATER PUMP ASSY.	1
35	E30-5120	ALUMINUM SPACER	1
36	E34-1300	HOSE	1
37	E34-1300	HOSE	1
38	E28-6142	HEAT SHIELD (PASS. SIDE)	1
39	E36-1200	NYLON TUBING 1/8"	1
40	E34-1360	HOSE	1
41	E34-1360	HOSE	1
42	E28-1110	OIL FILTER	1
43	E28-1122	OIL FILTER MOUNT ASSY.	1
44	E28-2900	1/8" X 1/4" COMPRESSOR	1
45	E28-2900	1/8" X 1/4" COMPRESSOR	1
46	E24-9623	HEAT SHIELD (PASS. SIDE)	1
47	E34-1310	HOSE	1
48	E34-4852	WATER INLET MANIFOLD	1
49	E10-3248	1/8" SUPPORT BRACE, PASS.	1
50	E00-2433	BOLT 1/4-20 X 3/4"	5
51	E30-1191	FOAM STRIP (35" SUPPLIED)	1
52	E34-4860	HOSE	1

PASSENGER SIDE VIEW



TOP VIEW



ROTORWAY INTERNATIONAL CHANDLER, ARIZONA
 SCALE: 1/8" APPROVED BY: [Signature]
 DATE: 8-19-96 REVISED: 8-19-96
 FAN SHROUD, RADIATOR, OIL COOLER
 DRAWING NUMBER: E30-2000-2

8-19-96 REVISION 2: ADD HOSE 62
 4-25-95 REVISION 1: NEW ALTERNATOR 32